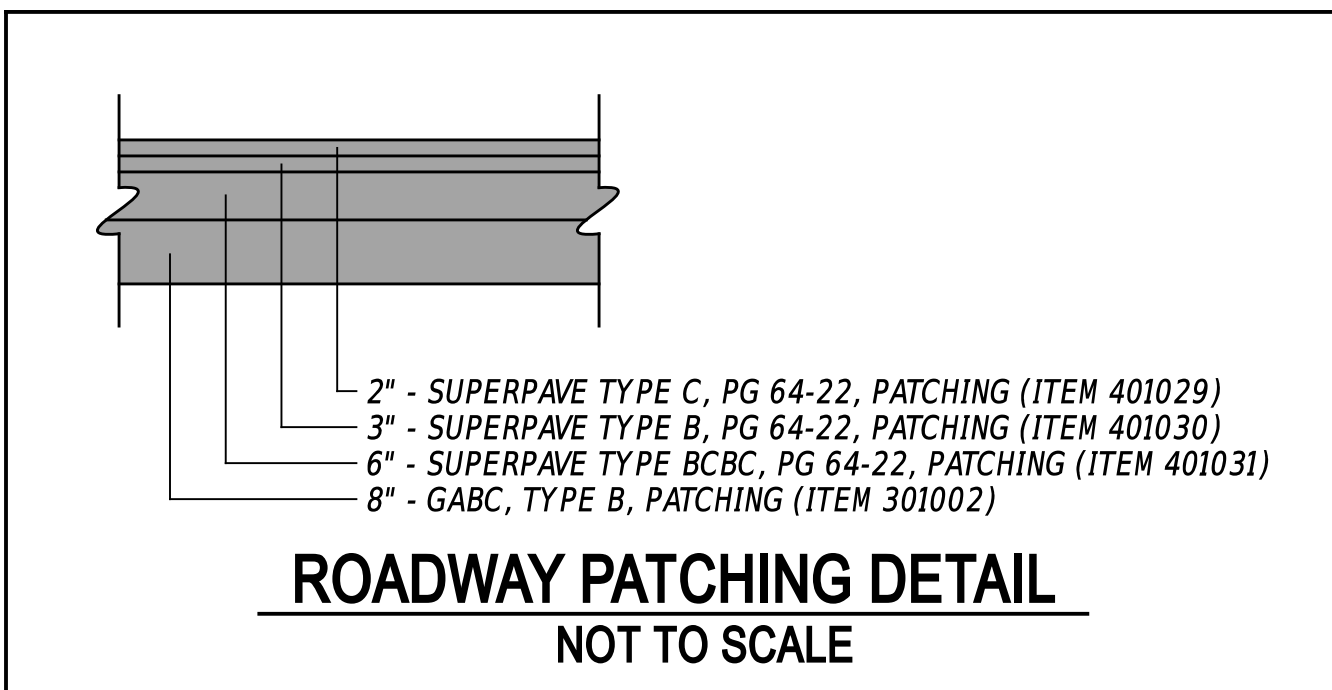
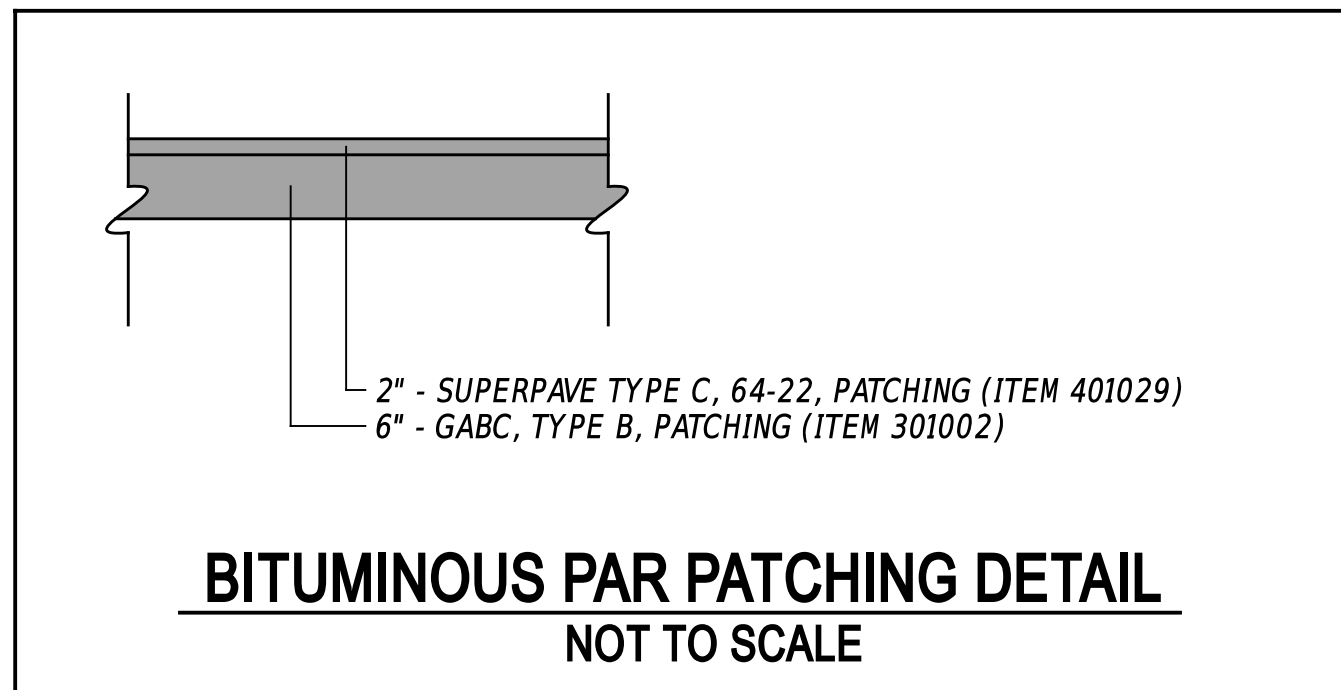


MATERIAL TYPE	BINDER GRADE	LIFT THICKNESS (IN)	
		MINIMUM	MAXIMUM
TYPE C (4.75 MM MIX)	ALL	0.5	1.0
TYPE C (9.5 MM MIX)	ALL	1.25	2.0
TYPE C (12.5 MM MIX)	ALL	1.5	2.0
TYPE B (19 MM MIX)	76-22, 70-22	2.25	4.0
TYPE B (19 MM MIX)	64-22	2.25	6.0
TYPE BCBC (25 MM MIX)	64-22	3.0	6.0
GABC	-	4.0	8.0

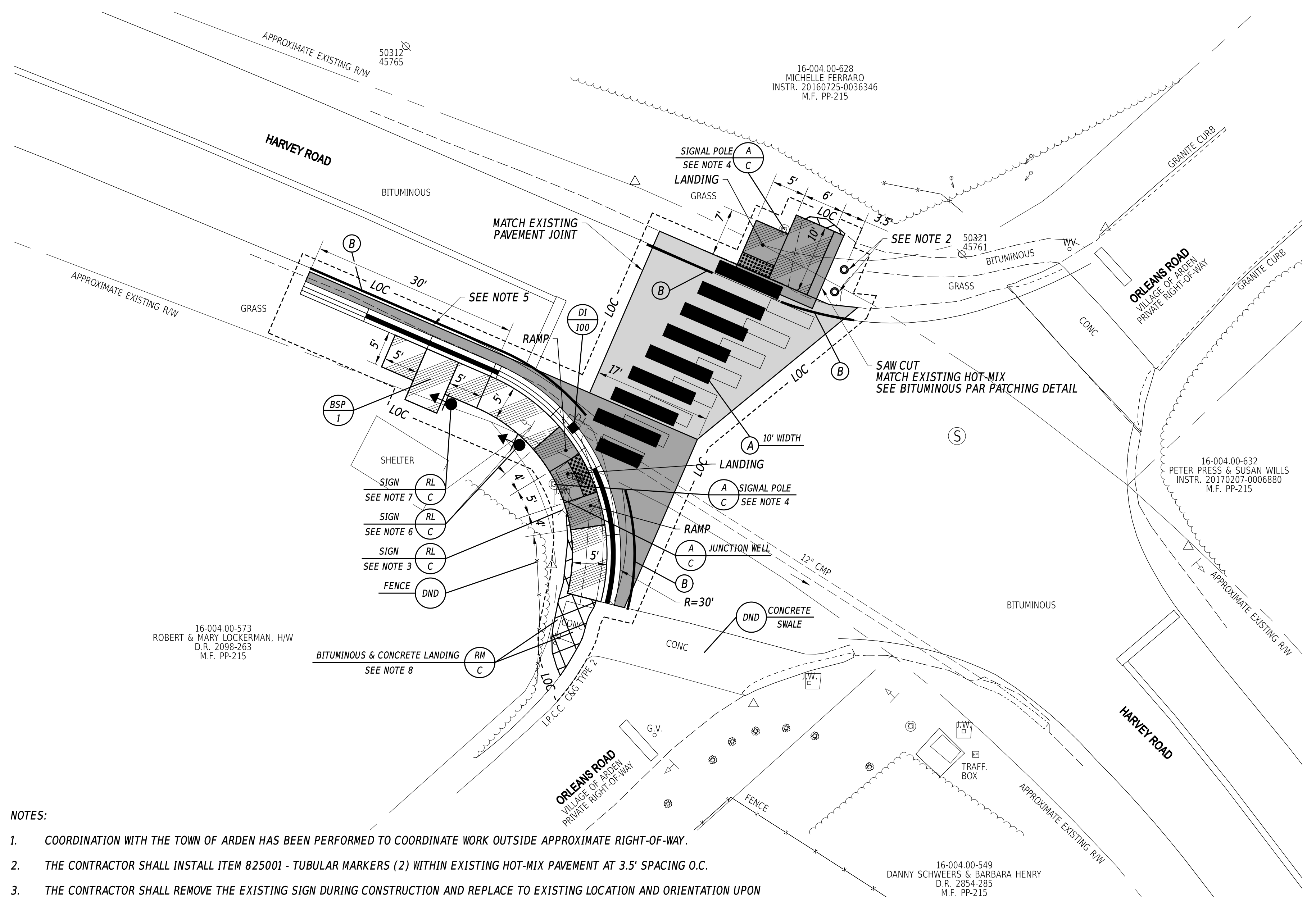


PAVEMENT MARKINGS LEGEND		
SYM	ITEM	QUANTITY
(A)	24" SOLID WHITE ALKYD THERMOPLASTIC PAVEMENT STRIPING (ITEM 817002)	180 SF
(B)	EPOXY RESIN PAINT PAVEMENT STRIPING, WHITE 5" SOLID (ITEM 817013)	83 LF

DRAINAGE INLET SCHEDULE						
NO.	STATION	OFFSET	BOX SIZE	GRATE	T.G. EL.	INV. EL.
100	*	*	48" x 48"	1	276.10	MATCH EX.

* MATCH EXISTING INLET LOCATION

ITEM LIST		
ITEM NO.	ITEM DESCRIPTION	QUANTITY
202000	EXCAVATION AND EMBANKMENT	2 CY
211000	REMOVAL OF STRUCTURES AND OBSTRUCTIONS	1 LS
211001	REMOVAL OF PORTLAND CEMENT CONCRETE PAVEMENT, CURB AND SIDEWALK	6 SY
301002	GRADED AGGREGATE BASE COURSE, TYPE B, PATCHING	9 CY
401005	SUPERPAVE TYPE C, PG 64-22 (CARBONATE STONE)	8 TON
401029	SUPERPAVE TYPE C, PG 64-22, PATCHING	5 TON
401030	SUPERPAVE TYPE B, PG 64-22, PATCHING	7 TON
401031	SUPERPAVE TYPE BCBC, PG 64-22, PATCHING	13 TON
504001	CRACK AND JOINT SEALING LESS THAN 3/4 INCH WIDE	172 LF
602005	DRAINAGE INLET, 48" X 48"	1 EA
701019	INTEGRAL PORTLAND CEMENT CONCRETE CURB AND GUTTER, TYPE 2	73 LF
705001	PORTLAND CEMENT CONCRETE SIDEWALK, 4"	199 SF
705002	PORTLAND CEMENT CONCRETE SIDEWALK, 6"	168 SF
705007	SIDEWALK SURFACE DETECTABLE WARNING SYSTEM	22 SF
760010	PAVEMENT MILLING, BITUMINOUS CONCRETE PAVEMENT	130 SYIN
762000	SAW CUTTING, BITUMINOUS CONCRETE	172 LF
762001	SAW CUTTING, CONCRETE, FULL DEPTH	6 LF
763531	WORK ORDER MOBILIZATION AND DE-MOBILIZATION	1 LS
763622	CONSTRUCTION ENGINEERING, PAR REHABILITATION	3 HR
819011	GALVANIZED TELESCOPING STEEL SIGN POSTS, 12' X 2", COMPLETE W/ BASEPOSTS...	2 EA
819018	INSTALLATION OR REMOVAL OF TRAFFIC SIGN(S) ON SINGLE SIGN POST	8 EA
825001	TUBULAR MARKERS	2 EA
830008	ADJUST OR REPAIR EXISTING CONDUIT JUNCTION WELL	1 EA
837010	FURNISH AND INSTALL PEDESTRIAN PUSHBUTTON WITH SIGN	2 EA
905005	INLET SEDIMENT CONTROL, CURB INLET	1 EA
908004	TOPSOIL, 6" DEPTH	47 SY
908016	PERMANENT GRASS SEEDING, SUBDIVISION	47 SY
908020	EROSION CONTROL BLANKET MULCH	47 SY

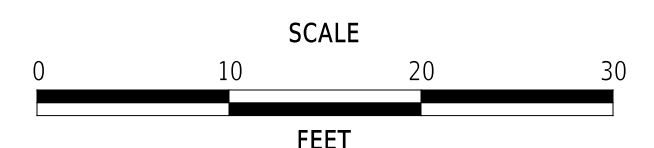


- NOTES:**
- COORDINATION WITH THE TOWN OF ARDEN HAS BEEN PERFORMED TO COORDINATE WORK OUTSIDE APPROXIMATE RIGHT-OF-WAY.
 - THE CONTRACTOR SHALL INSTALL ITEM 825001 - TUBULAR MARKERS (2) WITHIN EXISTING HOT-MIX PAVEMENT AT 3.5' SPACING O.C.
 - THE CONTRACTOR SHALL REMOVE THE EXISTING SIGN DURING CONSTRUCTION AND REPLACE TO EXISTING LOCATION AND ORIENTATION UPON COMPLETION OF CONSTRUCTION, PAID FOR UNDER ITEM 211000.
 - CONTRACTOR SHALL ADJUST HEIGHT OF PEDESTRIAN PUSH BUTTON TO 38" TO 46" MAX HEIGHT, PAID FOR UNDER ITEM 837010.
 - CONTRACTOR SHALL ENSURE POSITIVE DRAINAGE FLOW TO EXISTING INLET.
 - RELOCATE EXISTING PEDESTRIAN (W1-2) AND 2 CHEVRON ALIGNMENT SIGNS (W1-8) ON NEW SIGN POST. PAID UNDER ITEMS 819011 AND 819018.
 - RELOCATE EXISTING DART (D4-3-DE) ON NEW SIGN POST. PAID UNDER ITEMS 819011 AND 819018.
 - CONTRACTOR SHALL SAWCUT PCC AT TOP OF TYPE 2 CURB & GUTTER TO MAINTAIN FULL CURB HEIGHT.

16-MAY-2022
U:\Accounts\DEDOT\DEDOT22005 - AGR1955F Task 4 - Harvey Rd at Orleans RD\DESIGN\CTDGN\WO20-Harvey_Orleans\CP01.dgn



ADDENDA / REVISIONS



PEDESTRIAN ACCESS ROUTES AND SIDEWALK IMPROVEMENTS NEW CASTLE COUNTY FY20-FY23

CONTRACT	BRIDGE NO.	N/A
T201901401	DESIGNED BY:	D. HOLLEY
COUNTY	CHECKED BY:	Z. BRANDER
NEW CASTLE		

WORK ORDER #20 CONSTRUCTION PLAN

CP-01
SECTION
PAI
SHEET NO.
6